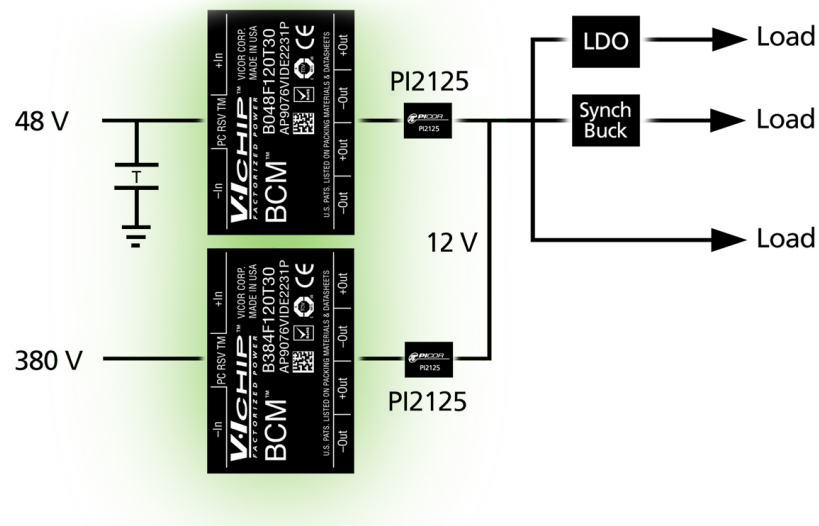


Battery Backup Systems



- System runs from HV DC or battery source
- HV BCM and 48 V BCMs are OR'd to create 12 V bus
- P12125 provides the ORing function